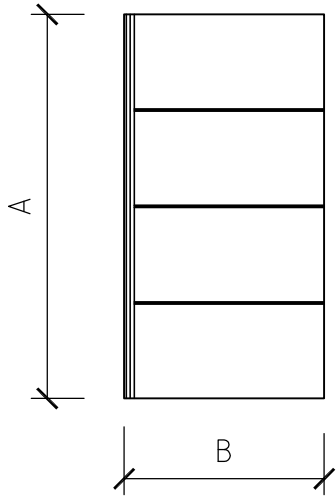
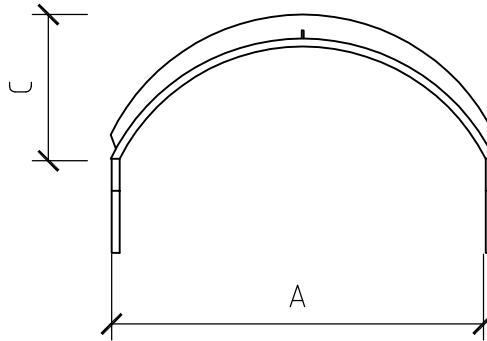
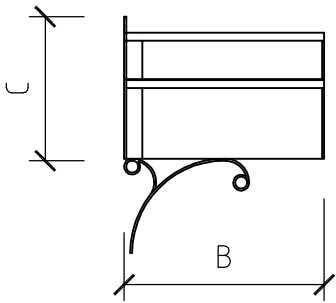


TOP



700 SERIES		
A	B	C
48"	25"	20"
66"	25"	20"
72"	25"	20"

SIDE



## AWNING LINE

NOTES:

ALL DIMENSIONS ARE APPROXIMATE

COPPER IS A NATURAL MATERIAL  
AND FINISH MAY VARY FROM PIECE TO PIECE

MULTIPLE MATERIALS ARE AVAILABLE

WEIGHT VARIES

THESE ARE FOR REPRESENTATIONAL PURPOSE ONLY.

SIZES ARE STANDARD, CUSTOM SIZES ARE AVAILABLE.

DATE:  
7.1.09

700 SERIES

# CRESCENT CITY COPPER